



# **GREEN COFFEE PROCESSING.**





# Our Experience. Your vision.

Cimbria is more than the equipment we produce. We are professionals who thrive on building creative solutions to bring your vision to life. We've been doing it since 1947. We combine the right technology with the right team to bring it all together. Our purpose is your success. You can feel confident because you have an expert at your side – helping you grow into the future.



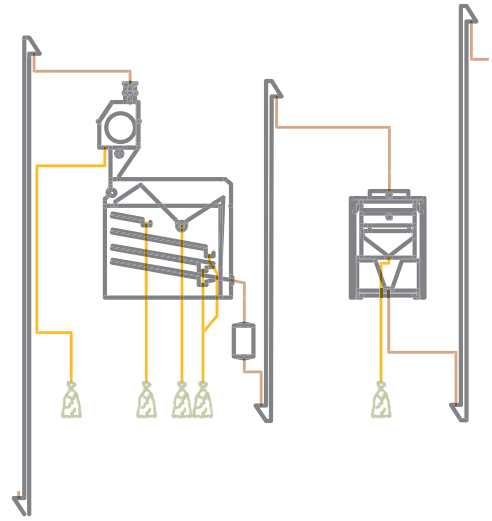
# Better Control for Higher Quality Coffee Beans.

Our advanced technology has been designed to give you full control throughout processing and drive your coffee production to new heights. Cimbria can customize and install a cost-effective system that will save energy.





CONTROL & AUTOMATION



## 01. Intake.

Cimbria intake systems are designed and manufactured to fit the specific requirements of each individual product and plant. Our focus is to ensure gentle handling of the coffee beans and to minimize the dust pollution during loading the processing line with product.

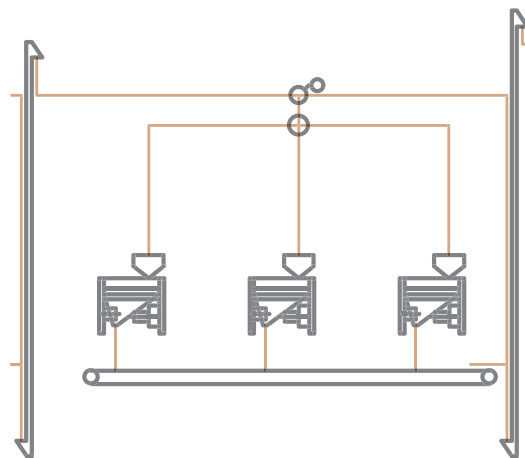
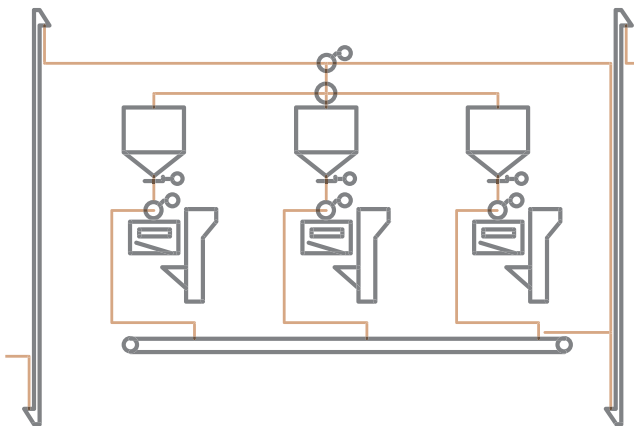


## 02. Pre-Cleaning and Destoning.

During the pre-cleaning process, foreign bodies such as sticks, sand, dust and husks are separated, as well as in some cases the dry cherry coffee.

In the next step the coffee is cleaned by a destoner to protect the following huller and polisher. The destoner separates all high density impurities, such as stones and metal parts.





### 03.

## Hulling.

The hulling machine removes the parchment skin or dry cherry hull from coffee beans. The Cimbria Huller guarantees a very gentle and low temperature hulling process, to preserve the characteristics of the coffee bean. The hullers are combined with a high efficiency dust separation system, to ensure dust free coffee beans for further processing.

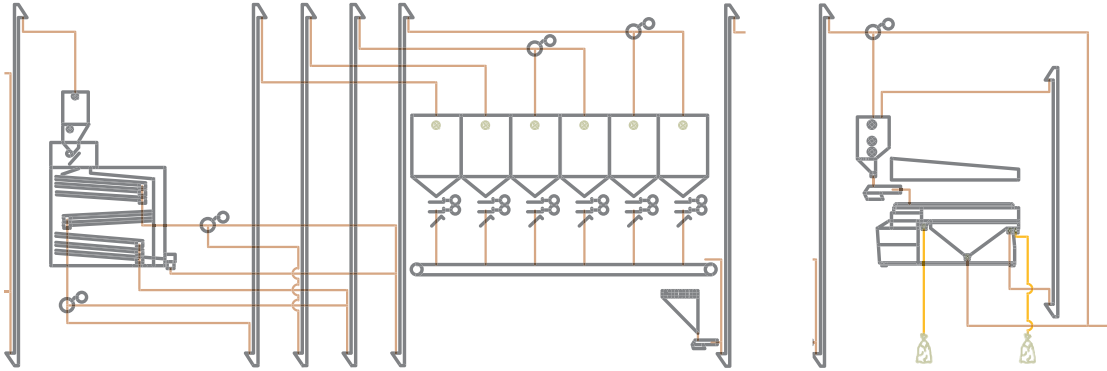


### 04.

## Polishing.

The polishing machine removes the silver skin of the hulled coffee, to increase the optical appearance of the grain and facilitate the optical sorting and roasting process. Cimbria polishers are known for smooth polishing and low heat generation. To receive an excellent polishing result, the Cimbria polishers are available with a cylinder and knives in bronze cast and brass screens.





## 05. Grading.

Grading into many different fractions is precision work. For the size grading process, Cimbria has developed a unique technique for sorting according to size of the coffee beans. Cimbria size graders are designed with a zig-zag screen arrangement to utilize the entire screen area and deliver precise sorting. Due to the unique design of the Cimbria size graders, the machines have a very low energy consumption.



## 06. Density Sorting.

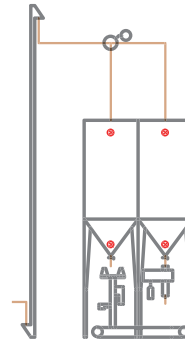
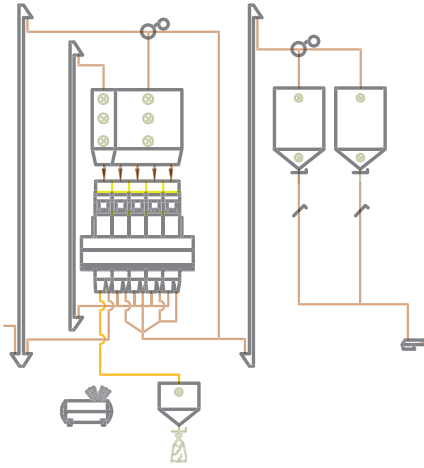
High efficiency Cimbria gravity tables are able to precisely separate coffee beans by density. Due to the unique design of the sophisticated gravity tables and as a result the very sharp separation, it is possible to reduce the number of machines in the processing plant. This reduces energy costs and the amount of space required. Cimbria gravity separators are driven by a completely counterbalanced eccentric drive system, which does not emit any vibrations, so you can install the machine on platforms without anchoring.





DISCOVER  
MORE

CONVEYING & ASPIRATION



## 07. Optical Sorting.

Cimbria's electronic color sorters are available in any possible optical configuration to improve the coffee quality and safety. The high-tech inspection system can work in the ultraviolet, Full-Color and hyperspectral infrared spectrum. Thanks to this technology, the machine is capable of separating different defects by color, broken beans, yellowish grains, as well as other foreign bodies, such as stones, sticks or plastic parts.



## 08. Storage.

For storage, Cimbria offers a wide range of silos that are tailor-made according to the actual requirement of the project. Cimbria silos, with their smooth walls, ensure genuine storage of valuable coffee beans without the risk of mixture. Additionally aeration and cooling systems, supported by Cimbria's temperature monitoring system, eliminate the risk of losses and damage to the coffee during storage. Intelligent filling systems with gentle let-down ladders avoid mechanical damage of the coffee beans.





## Aspiration.

Dust appears in all green coffee plants, especially at the transfer points where the beans are conveyed from one machine to another and also on the processing machines. Excessive dust pollution could create an unhealthy and dangerous environment in the plant. Therefore, a correctly designed aspiration system is an absolute “must have” in any modern coffee processing plant. This can be realized by Cimbria's sophisticated Cyclofans or by the dust filters, which are equipped with bags to filter the air before discharging.



## Packing.

Packing solutions are fundamental to turnkey projects and need to respect hygiene requirements to ensure quality all along the processing line. Cimbria offers flexible packing lines from 50Kg to 100Kg for overwrapping and palletizing.



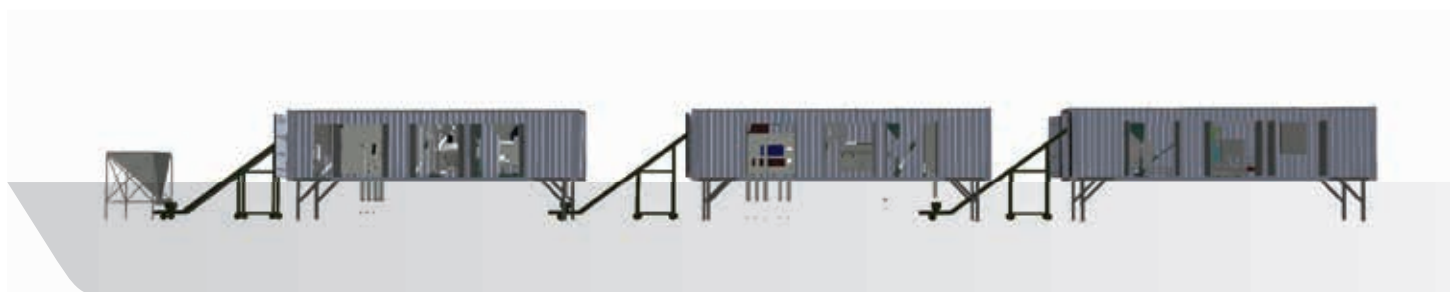
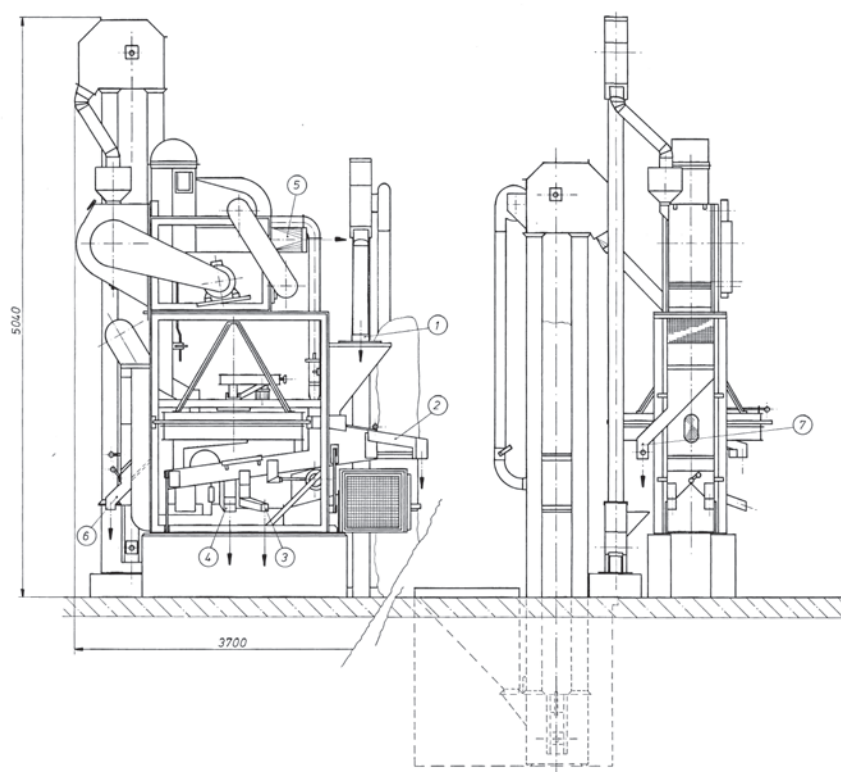
## Conveying.

Conveying requires reliable products to ensure performance and gentle handling. Cimbria offers belt, screw, angle and chain conveyors together with loading chutes, bucket elevators, pendulum bucket elevators and square piping systems. All our solutions are designed to be customized, reduce energy consumption and minimize wear.



# Microlot Coffee.

Especially for coffee processing for small cooperatives or farms, Cimbria offers compact processing machines for microlot production. These machines cover all steps of coffee processing in one compact machine and helps producers achieve the highest quality in each production batch. The machine can be used independently as a separate process line.



## Compact processing plant.



DISCOVER  
MORE

Cimbria offers the world's very first green coffee processing plant that is fully pre-assembled and tested in the factory for shipment to clients around the globe.

### ENTERING A NEW MARKET?

Minimize your risk by choosing this plug-and-play solution before investing in a permanent plant. The Cimbria processing plant can be operable within a few days on-site and can be easily transported to another site, if needed.





# Sorting the Roasted Coffee.

To preserve the desired coffee taste, any beans with imperfections must be removed. And this is where our optical sorters come in. Our Full-Color RGB cameras work in combination with hyperspectral technology that's able to detect the nature of beans to make the coffee bean sorting process extremely powerful.

Undercooking or overcooking when roasting can result in imperfections that can't be seen by humans. By investigating infrared spectrum that the human eye can't reach, our optical sorters can distinguish the beans not only by their external appearance, but by their chemical nature, too. That's why they are particularly suitable for sorting the beans after the roasting process.

The Cimbria SEA optical sorters go beyond human eye to detect foreign bodies, overcooked, undercooked, and imperfect beans, ensuring operational excellence that will give the consistent taste you desire.



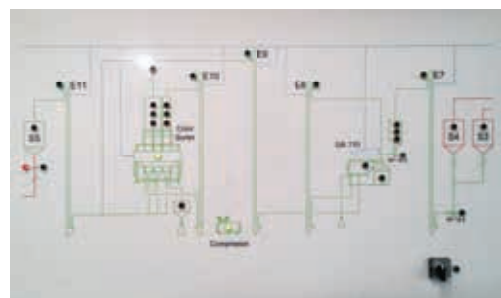
# Management and Control.

The Cimbria control system combines our many years of process experience with the latest technology. This is your guarantee that all installed machines operate at their optimum performance, minimizing downtimes and ensuring the best economic value for the entire system throughout the lifetime of the plant.



## Scada System.

The Scada system is tailor-made for operation, monitoring and alerts and it can be controlled by the operator from one or several locations. In order to facilitate daily operation, all routes are saved and can be easily accessed.



Cimbria.com

Release date: December 2023/EN

**CIMBRIA A/S**

Faartoftvej 22  
7700 Thisted  
DENMARK

Phone: +45 96 17 90 00  
cimbria.holding@agcocorp.com

**Cimbria Heid GmbH**

Heid-Werkstraße 4,  
2000 Stockerau,  
AUSTRIA

Phone +43 22 66 699  
cimbria.heid@agcocorp.com

Follow us   

