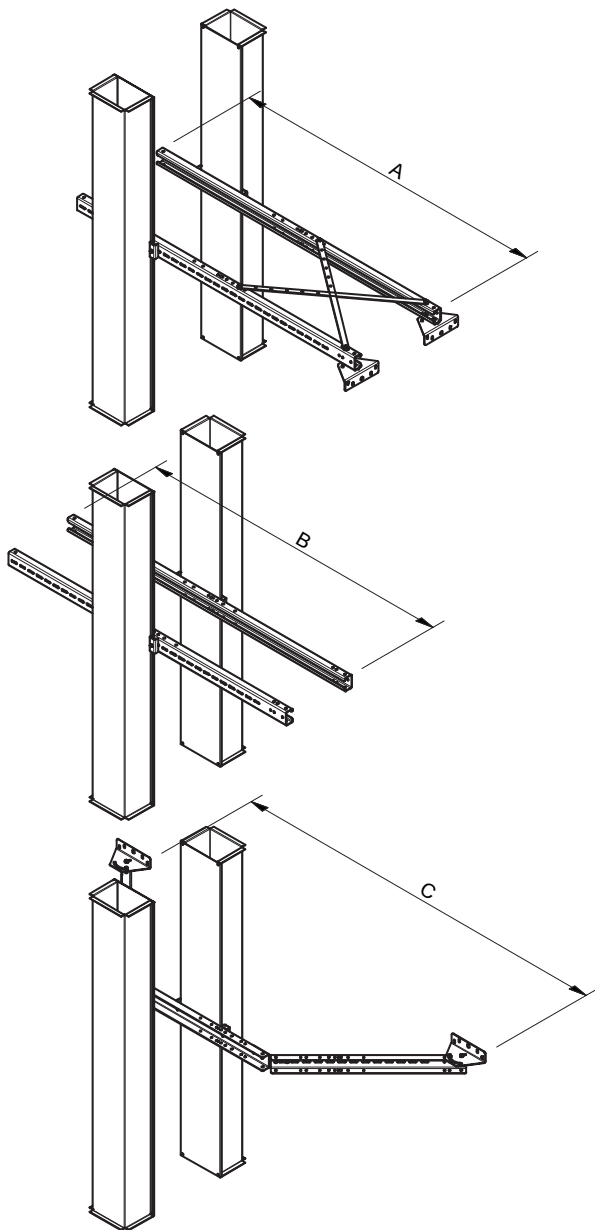


BUCKET ELEVATOR SUPPORT SYSTEM

GENERAL

Brand Cimbria
Designation Support systems elevator



Supported from one side:

Length of legs / supports: 500 mm
1000 mm
2000 mm

Intermediate supports:

Length of legs / supports: 2000 mm

Supported from end:

Length of legs / supports: 500 mm
1000 mm