

EXPLOSION RELIEF

All machines from Cimbria are available with explosion relief.

Based on the type of machine, size and specifications of the product(s) the machine has to handle, calculations will be made on the specific machine with respect to the type and number of relief mechanisms.

Each machine can also be equipped on the basis of the customer's wishes, whereupon Cimbria disclaims liability.

Cimbria uses 2 types of explosion relief, which are both type-tested and approved:

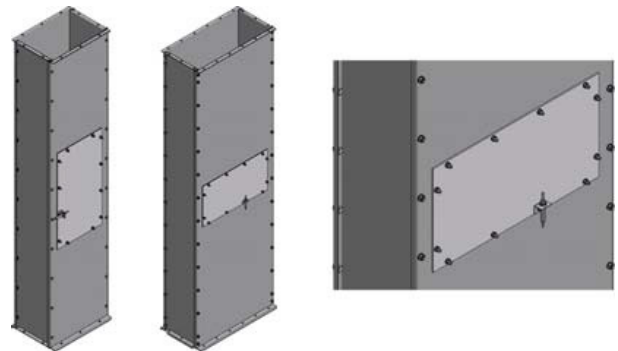
- Brilex in rectangular and round versions respectively, which are used on machines that are installed outdoors.
- Hoerbiger in a round version, which is used on machines that are installed indoors.

Both types are supplied with sensors.

Example of rectangular Brilex:



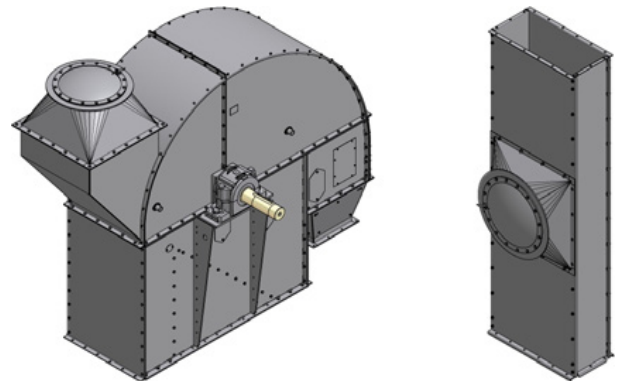
Example of rectangular Brilex fitted on elevator leg:



Example of round Brilex:



Example of round Brilex, fitted on elevator top and elevator leg respectively:



Example of round Hoerbiger:



Example of round Hoerbiger, fitted on elevator top and elevator leg respectively::

