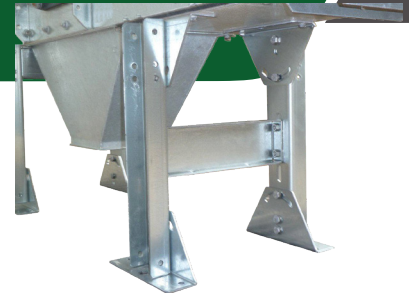


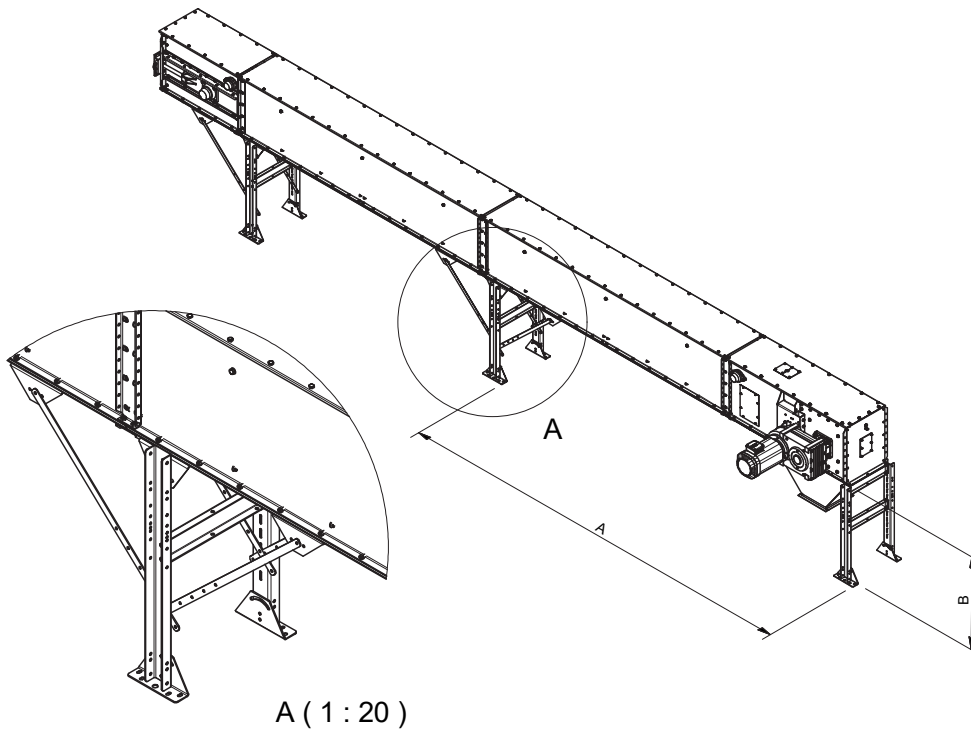
CHAIN CONVEYOR SUPPORT SYSTEM



GENERAL

Brand Cimbria
Model Support system chain conveyor

Supporting legs for Cimbria chain conveyors are manufactured from galvanized plate.
Supporting legs can also be used as suspend (RM-10, RM-12).



	RL / RS-3 [mm]	RL / RS-5 [mm]	RL / RS-7 [mm]	RL / RS-8 [mm]
A - Max. distance between legs	6 000	6 000	6 000	6 000
B - Length of legs	145-2 000	145-2 000	145-2 000	145-2 000

	RM-10 [mm]	RM-12 [mm]	RM-14 [mm]	RM-16 [mm]
A - Max. distance between legs	4 000	4 000	4 000	4 000
B - Length of legs	145-2 000	145-2 000	145-2 000	145-2 000

	RA-5 [mm]	RA-8 [mm]	RA-10 [mm]	RA-12 [mm]
A - Max. distance between legs	6 000	6 000	4 000	4 000
B - Length of legs	145-2 000	145-2 000	145-2 000	145-2 000

	RW-30 [mm]			
A - Max. distance between legs	7 000			
B - Length of legs	145-2 000			