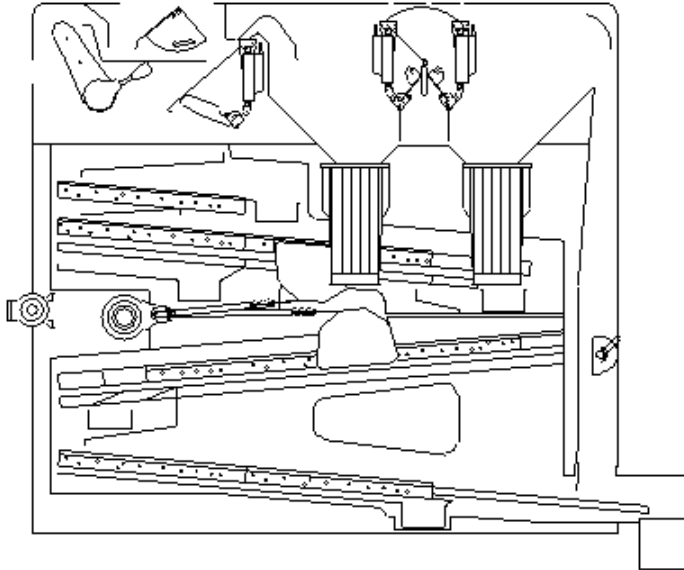


FINE CLEANER DELTA 114

The Delta Fine cleaner series is suitable for cleaning of grain and seed.

The Fine cleaners include shaker feeder, pre-suction and after-suction system, HMI control system and flexible screen flow.



PERFORMANCE

Materials	Bulk density t/m ³	Moisture content %	Capacity t/h
Barley	0.68	14 (15)	3.5 (10)
Clover	0.82	14 (15)	2
Coffee, green	0.65	14 (15)	4 (4)
Maize	0.71	14 (15)	3-4 (5)
Oats	0.51	14 (15)	3 (4)
Peas, common	0.7	14 (15)	3-4 (4-6)
Rapeseed	0.74	7-9	3 (4)
Rice, paddy	0.51	14 (15)	2.5-3 (3-4)
Rice, white	0.75	14 (15)	4 (6)
Rye	0.69	14 (15)	3.5 (6-10)
Ryegrass	0.3	14 (15)	0.75
Sorghum	0.64	14 (15)	3.5 (10)
Soybeans	0.72	14 (15)	3-4 (4-6)
Sunflower	0.4	7-9	1.5-2.5 (2)
Wheat	0.76	14 (15)	4 (6-10)

Legend: Values in parentheses are for industrial cleaning. Other values are for fine cleaning.

Note: Capacities may vary for different impurity and moisture contents.

SCREENS

Screen angle	5°
Screen area, total	7 m ²
Screen size	1 250×800 mm (7 pcs)

DIMENSIONS

Overall length	3 018 mm
Overall height	2 314 mm
Overall width	1 823 mm

WEIGHT

Weight, empty	2 020 kg
Weight, operating (wheat)	2 110 kg
Weight, choked (wheat)	4 320 kg

OPERATING SPEED

Shaker feeder (shaft)	140-700 rpm
Screens (shaft), fixed speed	280-285 rpm
Screens (shaft), variable speed	260-320 rpm

ELECTRICAL RATINGS

Motor, shaker feeder	0.75 kW
Motor, screens	1.5 kW
Control panel	110-230 V

AIR SUPPLY AND EXTRACTION

Aspiration volume	8 200 m ³ /h
-------------------	-------------------------

DYNAMIC LOADS

Horizontal load "Ph"	±123 N @ 4.6-4.8 Hz
Vertical load "Pv1" (inlet end)	±1 075 N @ 4.6-4.8 Hz
Vertical load "Pv2" (outlet end)	±1 075 N @ 4.6-4.8 Hz

Note: Dynamic loads are for normal operation.

NOISE

Sound pressure level, empty	79.3 dB(A)
-----------------------------	------------

COMPLIANCE

EU machinery legislation	Yes
EU ATEX legislation	Option*
EU food contact legislation	Option*

* Consult your Cimbria dealer for full details.

ENVIRONMENTAL CONDITIONS

Environment	Indoors
Temperature	From -20°C to +40°C
Altitude	Up to 800 m

SURFACE PROTECTION

Frame and enclosure	Paint (corrosivity category C2; low durability)
---------------------	---

LIFETIME

Intended life limit	20 years
---------------------	----------