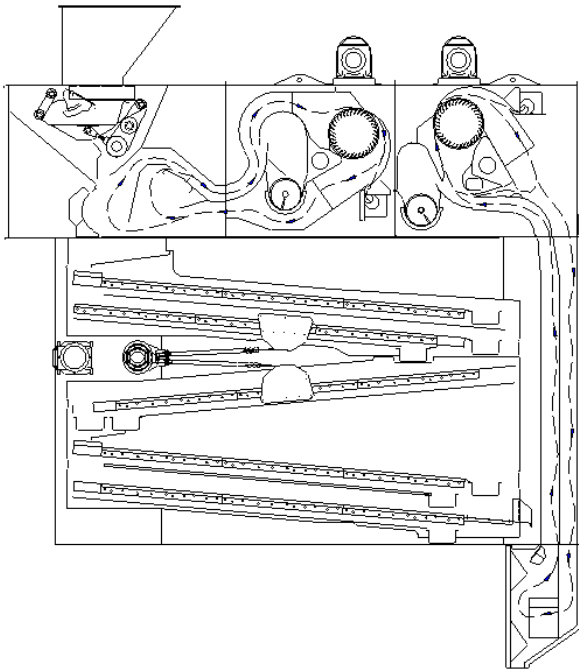


FINE CLEANER DELTA 116.1

The Delta Fine cleaner series is suitable for cleaning of grain and seed.

The Fine cleaners include shaker feeder, pre-suction and after-suction system, HMI control system and flexible screen flow.



PERFORMANCE

| Materials | Bulk density t/m ³ | Moisture content % | Capacity t/h |
|---------------|----------------------------------|-----------------------|-----------------|
| Barley | 0.68 | 14 (15) | 9 (25) |
| Clover | 0.82 | 14 (15) | 4 |
| Coffee, green | 0.65 | 14 (15) | 9 |
| Maize | 0.71 | 14 (15) | 6–8 (12) |
| Oats | 0.51 | 14 (15) | 7 (9) |
| Peas, common | 0.7 | 14 (15) | 7–9 (9–14) |
| Rapeseed | 0.74 | 7–9 | 7 (9) |
| Rice, paddy | 0.51 | 14 (15) | 5–7 (6–9) |
| Rice, white | 0.75 | 14 (15) | 9 (20) |
| Rye | 0.69 | 14 (15) | 9 (18–25) |
| Ryegrass | 0.3 | 14 (15) | 1.5 |
| Sorghum | 0.64 | 14 (15) | 9 (25) |
| Soybeans | 0.72 | 14 (15) | 7–9 (9–14) |
| Wheat | 0.76 | 14 (15) | 10 (18–25) |

Legend: Values in parentheses are for industrial cleaning. Other values are for fine cleaning.

Note: Capacities may vary for different impurity and moisture contents.

SCREENS

| | |
|--------------------|-----------------------|
| Screen angle | 5° |
| Screen area, total | 15 m ² |
| Screen size | 1 250×800 mm (15 pcs) |

DIMENSIONS

| | |
|----------------|----------|
| Overall length | 3 888 mm |
| Overall height | 4 164 mm |
| Overall width | 2 370 mm |

WEIGHT

| | |
|---------------------------|----------|
| Weight, empty | 4 225 kg |
| Weight, operating (wheat) | 4 675 kg |
| Weight, choked (wheat) | 8 040 kg |

OPERATING SPEED

| | |
|---------------------------------|-------------|
| Shaker feeder (shaft) | 140–700 rpm |
| Screens (shaft), fixed speed | 280–285 rpm |
| Screens (shaft), variable speed | 260–320 rpm |

ELECTRICAL RATINGS

| | |
|------------------------|-----------|
| Motor, shaker feeder | 0.75 kW |
| Motor, screens | 2.2 kW |
| Motor, pre aspiration | 3 kW |
| Motor, post aspiration | 4 kW |
| Control panel | 110–230 V |

AIR SUPPLY AND EXTRACTION

| | |
|-------------------|-------------------------|
| Aspiration volume | 3 600 m ³ /h |
|-------------------|-------------------------|

DYNAMIC LOADS

| | |
|----------------------------------|-----------------------|
| Horizontal load "Ph" | ±1 752 N @ 4.6–4.8 Hz |
| Vertical load "Pv1" (inlet end) | ±1 434 N @ 4.6–4.8 Hz |
| Vertical load "Pv2" (outlet end) | ±1 582 N @ 4.6–4.8 Hz |

Note: Dynamic loads are for normal operation.

NOISE

| | |
|-----------------------------|------------|
| Sound pressure level, empty | 81.6 dB(A) |
| Sound power level, empty | 96.1 dB(A) |

COMPLIANCE

| | |
|-----------------------------|---------|
| EU machinery legislation | Yes |
| EU ATEX legislation | No |
| EU food contact legislation | Option* |

* Consult your Cimbria dealer for full details.

ENVIRONMENTAL CONDITIONS

| | |
|-------------|---------------------|
| Environment | Indoors |
| Temperature | From -20°C to +40°C |
| Altitude | Up to 800 m |

SURFACE PROTECTION

| | |
|---------------------|---|
| Frame and enclosure | Paint (corrosivity category C2; low durability) |
|---------------------|---|

LIFETIME

| | |
|---------------------|----------|
| Intended life limit | 20 years |
|---------------------|----------|