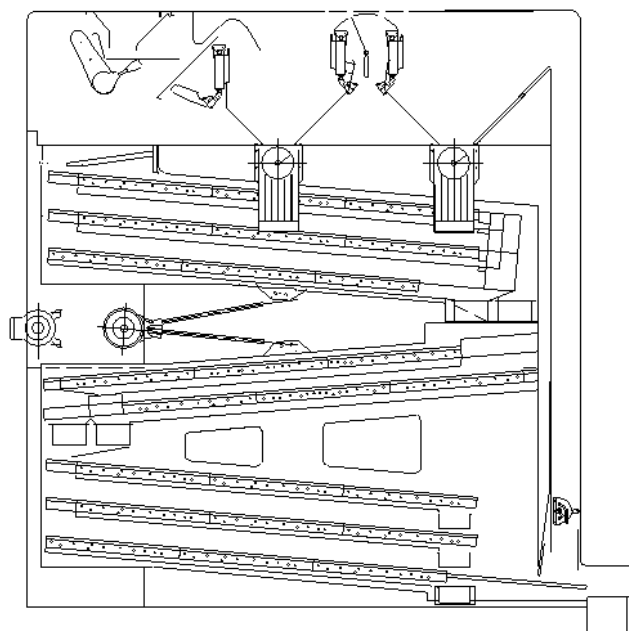


# FINE CLEANER DELTA 118

The Delta Fine cleaner series is suitable for cleaning of grain and seed.

The Fine cleaners include shaker feeder, pre-suction and after-suction system, HMI control system and flexible screen flow.



## PERFORMANCE

Materials	Bulk density t/m <sup>3</sup>	Moisture content %	Capacity t/h
Barley	0.68	14 (15)	20 (35)
Clover	0.82	14 (15)	8
Coffee, green	0.65	14 (15)	20 (20)
Maize	0.71	14 (15)	12–18 (25)
Oats	0.51	14 (15)	14 (20)
Peas, common	0.7	14 (15)	18 (20–24)
Rapeseed	0.74	7–9	14 (20)
Rice, paddy	0.51	14 (15)	9–12 (15–18)
Rice, white	0.75	14 (15)	20 (30)
Rye	0.69	14 (15)	20 (25–40)
Ryegrass	0.3	14 (15)	3
Sorghum	0.64	14 (15)	20 (35)
Soybeans	0.72	14 (15)	18–20 (20–24)
Sunflower	0.4	7–9	6–10 (10)
Wheat	0.76	14 (15)	22 (25–40)

Legend: Values in parentheses are for industrial cleaning. Other values are for fine cleaning.

Note: Capacities may vary for different impurity and moisture contents.

## SCREENS

Screen angle	5°
Screen area, total	24 m <sup>2</sup>
Screen size	1 250×800 mm (24 pcs)

## DIMENSIONS

Overall length	3 706 mm
Overall height	3 620 mm
Overall width	1 981 mm

## WEIGHT

Weight, empty	4 300 kg
Weight, operating (wheat)	4 720 kg
Weight, choked (wheat)	9 800 kg

## OPERATING SPEED

Shaker feeder (shaft)	140–700 rpm
Screens (shaft), fixed speed	280–285 rpm
Screens (shaft), variable speed	260–300 rpm

## ELECTRICAL RATINGS

Motor, shaker feeder	0.75 kW
Motor, screens	3 kW
Control panel	110–230 V

## AIR SUPPLY AND EXTRACTION

Aspiration volume	14 000 m <sup>3</sup> /h
-------------------	--------------------------

## DYNAMIC LOADS

Horizontal load "Ph"	±3 661 N @ 4.6–4.8 Hz
Vertical load "Pv1" (inlet end)	±2 787 N @ 4.6–4.8 Hz
Vertical load "Pv2" (outlet end)	±2 689 N @ 4.6–4.8 Hz

Note: Dynamic loads are for normal operation.

## NOISE

Sound pressure level, empty	81.6 dB(A)
Sound power level, empty	96.1 dB(A)

## COMPLIANCE

EU machinery legislation	Yes
EU ATEX legislation	Option*
EU food contact legislation	Option*

\* Consult your Cimbria dealer for full details.

## ENVIRONMENTAL CONDITIONS

Environment	Indoors
Temperature	From -20°C to +40°C
Altitude	Up to 800 m

## SURFACE PROTECTION

Frame and enclosure	Paint (corrosivity category C2; low durability)
---------------------	---

## LIFETIME

Intended life limit	20 years
---------------------	----------