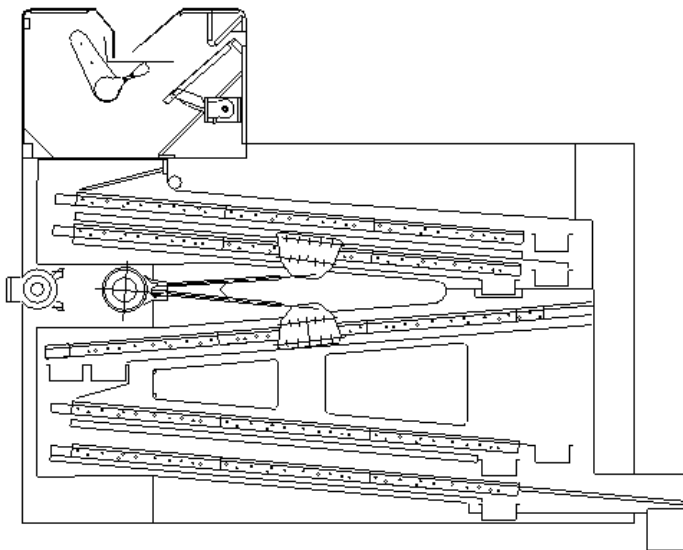


# SCREEN GRADER DELTA 126

Designed for precise grading of grain and seed, its gentle flow of product through the machine ensures an excellent grading precision.

The Delta 126 screen grader include shaker feeder and flexible screen flow.



## PERFORMANCE

Materials	Bulk density t/m <sup>3</sup>	Moisture content %	Capacity t/h
Barley	0.68	14	7
Coffee, green	0.65	14	3-6
Maize	0.71	14	3-6
Oats	0.51	14	5
Peas, common	0.7	14	4-6
Rice, white	0.75	14	7
Rye	0.69	14	5
Ryegrass	0.3	14	2.2
Sorghum	0.64	14	7
Soybeans	0.72	14	4-6
Sunflower	0.4	9	1.5-3
Wheat	0.76	14	7

Note: Capacities are for grading three to four fractions. Capacities may vary for different number of grades.

## SCREENS

Screen angle	5°
Screen area, total	15 m <sup>2</sup>
Screen size	1 250×800 mm (15 pcs)

## DIMENSIONS

Overall length	3 750 mm
Overall height	2 751 mm
Overall width	1 790 mm

## WEIGHT

Weight, empty	2 570 kg
Weight, operating (wheat)	2 770 kg
Weight, choked (wheat)	6 200 kg

## OPERATING SPEED

Shaker feeder (shaft)	140–700 rpm
Screens (shaft), fixed speed	280–285 rpm
Screens (shaft), variable speed	260–320 rpm

## ELECTRICAL RATINGS

Motor, shaker feeder	0.75 kW
Motor, screens	2.2 kW

## AIR SUPPLY AND EXTRACTION

Aspiration volume	1 000–2 500 m <sup>3</sup> /h
-------------------	-------------------------------

## DYNAMIC LOADS

Horizontal load "Ph"	±1 752 N @ 4.6–4.8 Hz
Vertical load "Pv1" (inlet end)	±1 434 N @ 4.6–4.8 Hz
Vertical load "Pv2" (outlet end)	±1 582 N @ 4.6–4.8 Hz

Note: Dynamic loads are for normal operation.

## NOISE

Sound pressure level, empty	81.6 dB(A)
Sound power level, empty	96.1 dB(A)

## COMPLIANCE

EU machinery legislation	Yes
EU ATEX legislation	Option*
EU food contact legislation	Option*

\* Consult your Cimbría dealer for full details.

## ENVIRONMENTAL CONDITIONS

Environment	Indoors
Temperature	From -20°C to +40°C
Altitude	Up to 800 m

## SURFACE PROTECTION

Frame and enclosure	Paint (corrosivity category C2; low durability)
---------------------	---

## LIFETIME

Intended life limit	20 years
---------------------	----------